



North Central Texas
Council of Governments

**Recommended Regional Amendments to the
2021 International Swimming Pool and Spa Code**
North Central Texas Council of Governments Region

The following sections, paragraphs, and sentences of the *2021 International Swimming Pool and Spa Code* are hereby amended as follows: Standard type is text from the ISPSC. Underlined type is text inserted. ~~Lined through type is deleted text from ISPSC.~~ A double asterisk at the beginning of a section identifies an amendment carried over from the 2018 edition of the code. A triple asterisk (***) identifies a new or revised amendment with the 2021 ISPSC code.

****Section 102.9; Change to read as follows:**

Section 102.9 Other laws. The provisions of this code shall not be deemed to nullify any provisions of local, state or federal law, to include but not limited to:

1. Texas Department of State Health Services (TDSHS); *Standards for Public Pools and Spas*; §285.181 through §285.208, (TDSHS rules do not apply to pools serving one- and two-family dwellings or townhouses).
2. Texas Department of Licensing and Regulation (TDLR); *2012 Texas Accessibility Standards (TAS)*, TAS provide the scoping and technical requirements for accessibility for Swimming Pool, wading pools and spas and shall comply with *2012 TAS, Section 242*. (TAS rules do not apply to pools serving one- and two-family dwellings or townhouses).

Exception: Elements regulated under Texas Department of Licensing and Regulation (TDLR) and built in accordance with TDLR approved plans, including any variances or waivers granted by the TDLR, shall be deemed to be in compliance with the requirements of this Chapter.

(Reason: To clarify specific Texas statutes which regulate public pools and spas.)

*****Section 113.4 Violation penalties; Changed to read as follows:**

113.4 Violation penalties. Any person who shall violate a provision of this code or shall fail to comply with any of the requirements thereof or who shall erect, install, alter or repair a pool or spa in violation of the *approved* construction documents or directive of the *code official*, or of a permit or certificate issued under the provisions of this code ~~may be punishable for each day of the violation set forth by the *authority having jurisdiction*.~~ shall be guilty of a ~~[SPECIFY OFFENSE]~~, punishable by a fine of not more than ~~[AMOUNT]~~ dollars or by imprisonment not exceeding ~~[NUMBER OF DAYS]~~, or both such a fine and imprisonment. ~~Each day that a violation continues after due notice has been served shall be deemed a separate offense.~~

(Reason: Covered by general provisions of the Code of Ordinances.)

*****Section 305; Change to read as follows:**

305.1 General.

The provisions of this section shall apply to the design of barriers for restricting entry into areas having pools and spas. ~~In only one- and two-family dwellings and townhouses,~~ where spas or hot tubs are equipped with a lockable safety cover complying with ASTM F1346 and swimming pools are equipped with a powered safety cover that complies with ASTM F1346, the areas where those spas, hot tubs or pools are located shall not be required to comply with Sections 305.2 through 305.7.



(Reason: To clarify requirements for dwellings and commercial properties and specific Texas statutes which regulate public pools and spas.)

**** Add subsection 305.2.7.1; to read as follows:**

305.2.7.1 Chain link fencing prohibited. Chain link fencing is not permitted as a barrier in public pools built after January 1, 1994.

(Reason: To clarify specific Texas Health and Safety Code Chapter 757.003 (f).)

*****Section 305.4 structure wall as a barrier; Changes as follows:**

305.4 Structure wall as a barrier. Where a wall of a dwelling or structure of a one- and two-family dwelling or townhouse or its accessory structure serves as part of a barrier and where doors or windows provide direct access to the pool or spa through that wall, one of the following shall be required:

1. Remainder Unchanged
2. Remainder Unchanged
3. Remainder Unchanged
4. Remainder unchanged
5. Remainder unchanged
6. Remainder unchanged

(Reason: To clarify specific Texas Health and Safety Code Chapter 757.007.

****Section 305.6; Change to read as follows:**

305.6 Natural barriers used in a one- and two-family dwelling or townhouse. In the case where the pool or spa area abuts the edge of a lake or other natural body of water, public access is not permitted or allowed along the shoreline, and required barriers extend to and beyond the water's edge a minimum of eighteen (18) inches, a barrier is not required between the natural body of water shoreline and the pool or spa.

(Reason: Specific Texas statutes do not allow the use of natural barriers in lieu of fencing for public pools per Chapter 757.003).

****Section 307.1.4 Accessibility; Add exception to Section to 307.1.4 as follows:**

Exception: Components of projects regulated by and registered with Architectural Barriers Division of Texas Department of Licensing and Regulation shall be deemed to be in compliance with the requirements of this chapter.

(Reason: To accommodate buildings regulated under state law. Further clarified to mean Components that are specifically addressed by TDLR shall be exempt.)

*****Section 307.2.2.2; add to read as follows:**

Section 307.2.2.2. Adjacency to Structural Foundation. Depth of the swimming pool and spa shall maintain a ratio of 1:1 from the nearest building foundation or footing of a retaining wall.



Exception:

A sealed engineered design drawing of the proposed new structure shall be submitted for approval.

(Reason: To clarify specific distances for pools and spas, correlates with IRC 327.1.)

****Section 310; Change to read as follows:**

310.1 General. Suction entrapment avoidance for pools and spas shall be provided in accordance with APSP 7 (ANSI/PHTA/ICC 7) or for public swimming pools in accordance with State of Texas Rules for Public Swimming Pools and Spas, Title 25 TAC Chapter 265 Subchapter L, Rule §265.190.

[Remainder unchanged]

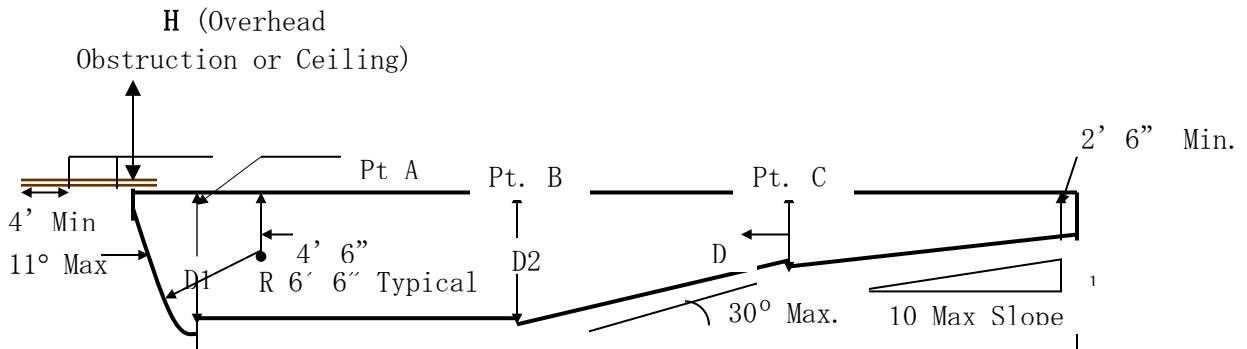
(Reason: To clarify specific Texas statutes which regulate public pools and spas.)

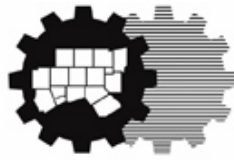
**** Section 402.12; Change to read as follows:**

402.12 Water envelopes. The minimum diving water envelopes shall be in accordance with ~~Table 402.12~~ **Texas department of State Health services, Administrative Code Title 25, Chapter 265, Section 186 (e) and Figure: 25 TAC 256.186 (e) (6).** (Delete Table 402.12 and Figure 402.12)

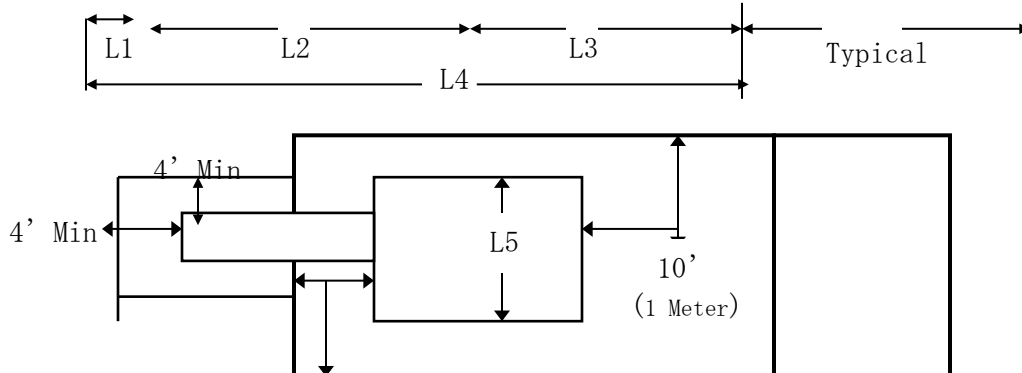
ADD: Figure: 25 TAC §265.186 (e) (6)

Maximum Diving Board Height Over Water	¾ Meter	1 Meter	3 Meters
Max. Diving Board Length	12 ft.	16 ft.	16 ft.
Minimum Diving Board Overhang	2 ft. 6 in.	5 ft.	5 ft.
D1 Minimum	8 ft. 6 in.	11 ft. 2 in.	12 ft. 2 in.
D2 Minimum	9 ft.	10 ft. 10 in.	11 ft. 10 in.
D3 Minimum	4 ft.	6 ft.	6 ft.
L1 Minimum	4 ft.	5 ft.	5 ft.
L2 Minimum	12 ft.	16 ft. 5 in.	19 ft. 9 in.
L3 Minimum	14 ft. 10 in.	13 ft. 2 in.	13 ft. 11 in.
L4 Minimum	30 ft. 10 in.	34 ft. 7 in.	38 ft. 8 in.
L5 Minimum	8 ft.	10 ft.	13 ft.
H Minimum	16 ft.	16 ft.	16 ft.
From Plummet to Pool Wall at Side	9 ft.	10 ft.	11 ft. 6 in.
From Plummet to Adjacent Plummet	10 ft.	10 ft.	10 ft.





North Central Texas
Council of Governments



(Reason: To avoid conflict with 25 TAC Chapter 265.)

****Section 411.2.1 & 411.2.2; Change to read as follows:**

411.2.1 Tread dimensions and area. Treads shall have a minimum unobstructed horizontal depth (i.e., horizontal run) of 12 inches and a minimum width of 20 inches, ~~not be less than 24 inches (607mm) at the leading edge. Treads shall have an unobstructed surface area of not less than 240 square inches (154838mm²) and an unobstructed horizontal depth of not less than 10 inches (254 mm) at the center line.~~

411.2.2 Risers. Risers for steps shall have a maximum uniform height of 10 inches, with the bottom riser height allowed to taper to zero except for the bottom riser, shall have a uniform height of not greater than 12 inches (305 mm) measured at the center line. The bottom riser height is allowed to vary to the floor.

(Reason: To avoid conflict with 25 TAC Chapter 265.186 (c)(7)(A) & (B).)

****Section 411.5.1 & 411.5.2; Change to read as follows:**

411.5.1 Swimouts. Swimouts, located in either the deep or shallow area of a pool, shall comply with all of the following:

1. Unchanged
2. Unchanged
3. Unchanged
4. The leading edge shall be visibly set apart and provided with a horizontal solid or broken stripe at least 1 inch wide on the top surface along the front leading edge of each step. This stripe shall be plainly visible to persons on the pool deck. The stripe shall be a contrasting color to the background on which it is applied, and the color shall be permanent in nature and shall be a slip-resistant surface.

411.5.2 Underwater seats and benches. Underwater seats and benches, whether used alone or in conjunction with pool stairs, shall comply with all of the following:

1. Unchanged
2. Unchanged
3. Unchanged
4. Unchanged
5. The leading edge shall be visually set apart and provided with a horizontal solid or broken stripe at least 1 inch wide on the top surface along the front leading edge of each step. This stripe shall be.



plainly visible to persons on the pool deck. The stripe shall be a contrasting color to the background on which it is applied, and the color shall be permanent in nature and shall be a slip-resistant surface.

6. Unchanged
7. Unchanged

(Reason: To avoid conflict with 25 TAC Chapter 265.184 (u) & 265.186 (c)(10).)

****Section 610.5.1; Change to read:**

610.5.1 Uniform height of 9-10 inches. Except for the bottom riser, risers at the centerline shall have a maximum uniform height of 9-10 inches (229-254 mm). The bottom riser height shall be permitted to vary from the other risers.

(Reason: To avoid conflict with 25 TAC Chapter 265.186 (c)(7)(B).)

****Section 804 Diving Water Envelopes; Change to read as follows:**

Section 804.1 General. The minimum diving water envelopes shall be in accordance with Table 804.1 and Figure 804.1, or the manufacturer's specifications, whichever is greater. Negative construction tolerances shall not be applied to the dimensions of the minimum diving water envelopes given in Table 804.1.

(Reason: To provide minimum standards and to clarify specific manufactures specifications of the diving equipment.)

END